

高压卷轴

HIGH PRESSURE HOSE REEL SERIES



Rubber hose with braided steel inside.

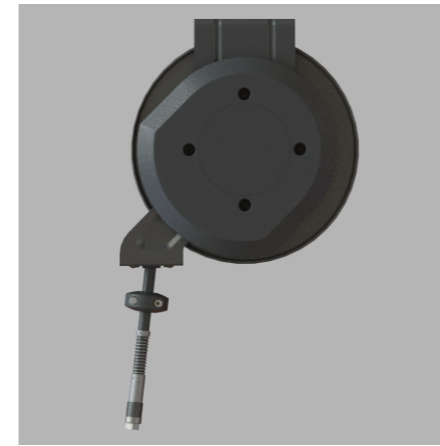
High quality copper casing tube

Reel made of high-intensity integrated steel

Reel with powder coating and baking varnish could be corrosion and oxidation resistance

Elastic and high toughness spring.

可选型号



高压卷轴 (有外壳)
High Pressure Hose Reel With Housing

Hose Material:
Rubber hose with braided steel inside
管质: 橡胶钢丝管

Inlet Hose: 1.2M
输入管长度: 1.2M

Outlet Hose: 10M/12M/15M
输出管长度: 10M/12M/15M

Max. Working Pressure: 25Mpa
最大工作压力: 25Mpa

I.D./O.D.: $\phi 6\text{mm}/\phi 12.5\text{mm}$ or $\phi 8\text{mm}/\phi 14.5\text{mm}$
软管规格: $6*12.5\text{mm}$ 或 $8*14.5\text{mm}$

Thread: G3/8 or 8*14.5
接头螺纹: G3/8内螺 或 18*1.5内螺



高压卷轴 (无外壳)
High Pressure Hose Reel Without Housing

Hose Material:
Rubber hose with braided steel inside
管质: 橡胶钢丝管

Inlet Hose: 1.2M
输入管长度: 1.2M

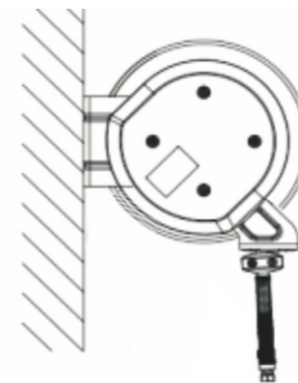
Outlet Hose: 10M/12M/15M
输出管长度: 10M/12M/15M

Max. Working Pressure: 25Mpa
最大工作压力: 25Mpa

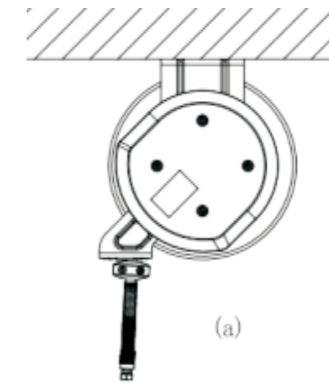
I.D./O.D.: $\phi 6\text{mm}/\phi 12.5\text{mm}$ or $\phi 8\text{mm}/\phi 14.5\text{mm}$
软管规格: $6*12.5\text{mm}$ 或 $8*14.5\text{mm}$

Thread: G3/8 or 8*14.5
接头螺纹: G3/8内螺 或 18*1.5内螺

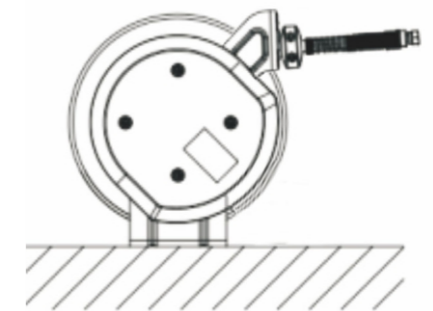
安装示意



墙面安装
Wall Mounted



吊顶安装
Ceiling Mounted



地面安装
Bench Mounted